

SOL8SDR-DCAM

SOLO8 SDR Drop Camera

Overview:

The SOL8SDR-DCAM is a Mesh enabled camera module which incorporates a DTC Software Defined Radio, an HD camera, a microphone, a flexible antenna pair and a battery. The simple to use button interface allows the SOL8SDR-DCAM to be rapidly deployed.

Demand for system flexibility has led to Mesh being the first choice for transferring video. A digital Mesh radio network allows encoded video, audio and data to be shared between several nodes simultaneously. COFDM point to point type RF transmission is also supported as a configurable option.

The video output is configurable as either HD or SD windowed version of the video. SD video mode supports a solid state PTZ function by taking advantage of a 3x lossless digital zoom made possible by using the HD sensor as its source. The SOL8SDR-DCAM also supports the option to externally connect IP cameras and HD-SDI cameras as its video source. The transmitted video can be observed using the SOLO8 NanoVue HD Robust Receiver.

Input and output triggers are supported which allow the control of auxiliary systems. It also incorporates four LEDs which can be either white light or infrared.

This is all housed in a very rugged CNC machined waterproof enclosure.

Security of the link is ensured either through standard DES encryption or optional AES128 or AES256.

Product Information:

Product Codes

SOL8SDR-DCAM-114150	SOLO8 SDR Drop Camera 1.14-1.50GHz
SOL8SDR-DCAM-167235	SOLO8 SDR Drop Camera 1.67-2.35GHz
SOL8SDR-DCAM-198270	SOLO8 SDR Drop Camera 1.98-2.70GHz

Product Includes

Antenna x2	GOA series antenna to match the product frequency
AP010123	Fischer CAT 6 cable
AP010407	Fischer 12V 3A PSU



Features and Benefits:

- Rapid deployable
- Mesh video transmission
- Simple quick setup
- HD image sensor
- Solid state PTZ for SD video
- External IP camera input
- External HD-SDI camera input
- Configurable as a relay node
- White and IR LED illumination
- Built-in high quality microphone
- Integral rechargeable battery
- Status screen
- Ethernet connection
- Web user interface configurable
- Encrypted transmission (DES standard, AES option)
- IP67 rated
- Rugged build for tactical operations

SOL8SDR-DCAM

SOLO8 SDR Drop Camera

Technical Specification:

Cameras/Video/Audio

Camera sensor	3.1 megapixel, CMOS
Camera sensitivity	< 0.1 lux
Camera SNR	> 50dB
Horizontal FOV	120°
Pan-tilt-zoom	Supported in SD mode
External camera inputs	IP camera HD-SDI camera
External triggers	Input and output
Video encoder control	Relay node configurable
Video encoding	H.264
Audio	High quality microphone

RF

Type	COFDM Mesh COFDM P2P
Antennas	Flexible dual diversity

Control/Indicators

Ethernet	Web user interface
Local	Button controlled OLED
LEDs	4 x white or IR

Power

Integral battery	Rechargeable
Run time	3 hours

Physical/Environmental

Weight	600g
Dimensions	135mm x 55mm x 55mm
Sealing	IP67

Encryption

Standard	DES
Licensed	AES128/AES-256 (subject to export control)

Software License Code

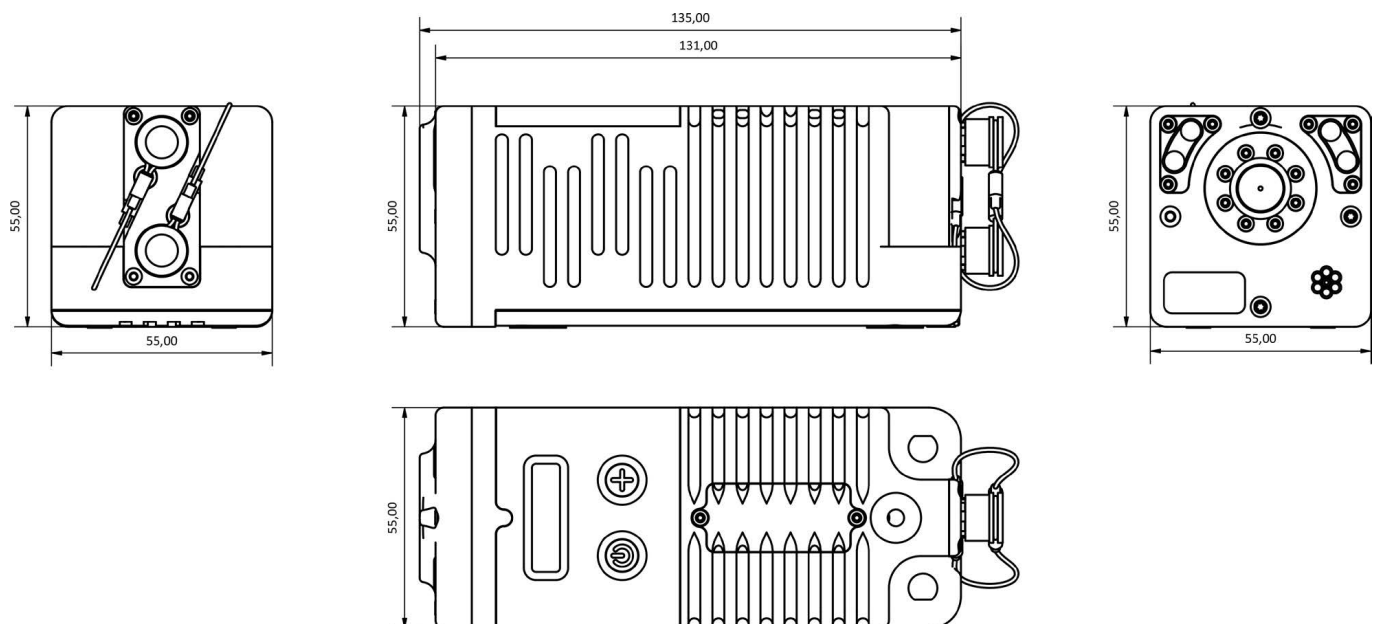
*SDRAPP-MESH	IP Mesh NETNode
*SDRAPP-IAS	Interference Avoidance Scheme for Mesh
*SDRAPP-ENC	IP Encoder
*SDRAPP-TX	COFDM Transmitter
*SDRAPP-RX	COFDM Receiver
SDRAPP-IPX	IP Encapsulation for COFDM
SDRAPP-GOLD	Gold-TX, Gold-RX, MESH, IAS, IPX
SDRAPP-PLATINUM	Platinum-TX, Platinum-RX, MESH, IAS, IPX
AES128TX	AES 128-Bit Encryption
AES256TX	AES 256-Bit and 128-Bit Encryption

* Refer to separate datasheets for SDRAPP details

SOL8SDR-DCAM

SOLO8 SDR Drop Camera

Technical Specification (cont.):



Export of encrypted products is subject to regulatory export controls.

For further information contact your Sales Account Manager, one of our Regional Sales Offices, or email solent.info@domotactical.com

AMERICA
T: +1 571 563 7077

UK
T: +44 1489 566 750

DENMARK
T: +45 8791 8100

UAE
T: +971 0 44 53 72 01

SINGAPORE
T: +65 6339 0508

AUSTRALIA
T: +61 8 8305 0311